

i Geyser



MWH-150/190/300



72% *energy saving*

ECO *friendly*

EASY *installation*

SUPER *efficient*



METRACLARK

Refrigeration & Air-Conditioning Wholesale

The Most Intelligent, Energy efficient Geyser You Can Own

Metraclark's intelligent, heat pump geyser works much like a refrigerator in reverse. The heat pump extracts heat from the air, intensifies the heat with a compressor, delivers the heat to water and expels the cooler air to where you can use it. Because it uses warm ambient air to do most of the work, it's a very efficient way to heat water



Triple the efficiency of a standard Geyser Ratio of power input to power output: 3.6

- Uses heat pump technology for superb energy efficiency, cutting your energy bill by up to 72%.
- For every 1kWh you put in , water is heated by 3.6 kWh
- Works with eco friendly, R134a refrigerant, which is not harmful to the ozone.
- Provides free cooling you can utilise by ducting the supply air into an adjacent room.(MWH-300 only)
- An easy to use LED touch pad allows you to choose the best of three modes.
- The ideal choice for the replacement of power hungry electric geysers in all buildings.
- Works even when weather conditions are not favourable, unlike solar geysers, which need auxillary elements, so when it's cloudy, even solar geysers cost you money.
- Standard 3/4" water inlet, outlet and condensate drain connections.



Choose Your Efficiency Setting

Heat pump

The most efficient setting is the heat pump mode. Free cooling is available and can be ducted into hot areas in your building, where cool, de humidified air is welcome. (MWH-300 only)

Hybrid

When hot water demands are high, the heat-pump as well as an element will operate as required.

E - Heater

A temporary element only mode is available for when hot water demands are higher than normal





Select the Right Position

The i_Geyser can be installed in ceiling voids, attics, garages and patios. The beautiful aesthetics of the unit also allows it to be installed in kitchens, where the free cooling will help to alleviate some of the heat and humidity generated by other appliances.



Cupboard Installation



Balcony Installation



Garage Installation



Garden Installation

Choose Your Supplier



Available from 25 Metraclark branches nationwide
Visit www.metraclark.co.za

Life Cycle Costing Comparison

i_Geyser	Initial Cost	Running cost over 10 years
Solar Geyser	Initial Cost	Running cost over 10 years
Electric Geyser	Initial Cost	Running cost over 10 years
Gas Heater	Initial Cost	Running cost over 10 years

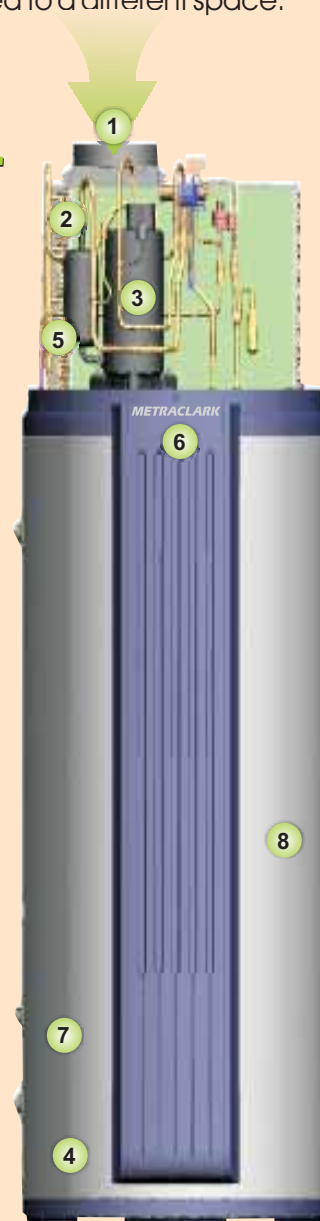


Metraclark's intelligent Geyser Solution

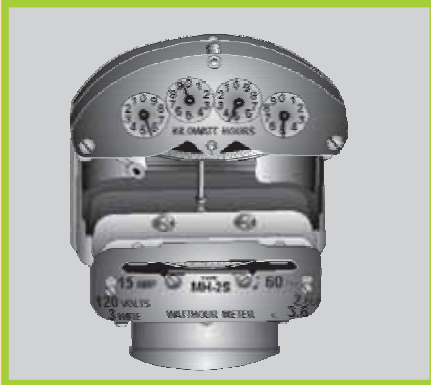
Superb engineering, from decades of heat pump expertise, have produced one of the world's "cleanest" and most energy efficient water heating solutions available today. Metraclark's intelligent Geyser has over three times the efficiency of standard electric Geysers. It has the same plumbing and electrical connections as a standard geyser, making installation fast and easy. The user friendly LED panel allows users to select the most efficient mode, select the desired water temperature and even put it on a timer, saving more power. An added bonus of the i-Geyser is the fact that cool, dehumidified air is expelled from this unit. This allows the user to "free cool" selected areas where needed, by either letting it blow into the same area (MWH-150/190) or by connecting an air duct, pumping it into an adjacent room (MWH-300). This feature is particularly helpful in areas with high ambient temperatures during most of the year. Users typically install the i-Geyser in kitchens or wash areas, where available heat emitted from other appliances add to the efficiency of the I_Geyser. Dehumidification also helps where moist air is generated by appliances such as tumble dryers. If cold air isn't needed, the i-Geyser can either be installed where cold air isn't a problem, or where air can be routed to a different space.

How the intelligent Geyser works.

- 1 A fan pulls ambient air through the air filter on top.
- 2 Heat in the air is absorbed by eco friendly R134a refrigerant inside the evaporator coil and cool, dehumidified air is exhausted
- 3 Refrigerant is pumped through a compressor, which increases the temperature
- 4 Water is heated by a condenser coil wrapped around the ceramic tank
- 5 Hot refrigerant transfers it's heat to the water
- 6 All functions are controlled simultaneously by an advanced circuit board located behind the touch pad. In "Hybrid" mode, the heat pump can run simultaneously with an electric element during periods of high demand. In "Element only" mode, the heat pump is disabled and the unit operates like a standard electric geyser.
- 7 Condensate drain connection
- 8 Backup electric elements for high demand



Electrical Utility benefits!



The high "Coefficient Of Performance" of 3.6 of the new fully integrated i_Geyser reduces the load on electrical utilities, while providing it's owners with suitable hot water supply. This means that for every one kWh of energy the i_geyser consumes, it provides 3.6 kWh of energy output. (the C.O.P of a normal geyser is only 1.0) How you heat your water is impacting your budget, as well as the environment. Electric Geysers are the single highest energy users in homes. Now is the time to become less dependable on your electricity provider.

Homeowner's benefits!



Intelligent Geysers from Metraclark have over triple the energy efficiency of standard electric geysers. If your annual energy cost for hot water is R3600-00 a year, you can save as much as R2000-00 per year by replacing your current geyser with an intelligent Geyser. The user friendly touch pad allows users to choose the desired water temperature range and the highest efficiency setting for their hot water demand. Unlike solar heating, the intelligent Geyser doesn't need permanent sun to ensure hot water availability at all times.

Contractor's benefits!



The i_Geyser was designed for easy installation. It's installation is similar to a standard geyser, with the same familiar connections. It's narrow diameter allows the contractor to place it in the area that allows for the highest efficiency. The i_Geyser is available from 27 Metraclark outlets in Southern Africa.

Developer's benefits!



Builders and Developers are always looking for products that will set their homes and office buildings apart from the competition. The Metraclark i_Geyser offers excellent hot water delivery and will reduce the owner's overall cost of ownership. The distinctive new look and many features is something to brag about when receiving visitors.

Technical Specifications



MWH-150



MWH-190



MWH-300

Model

		MWH-150			MWH-190			MWH-300		
Power supply	Ph-V-Hz	1, 220-240V~,50Hz			1, 220-240V~,50Hz			1, 220-240V~,50Hz		
Power supply cable		2.5mm / 3 core			2.5mm / 3 core			4.0mm / 3 core		
Max input current		10A			10A			18.7A		
Running Modes		Economy	Hybrid	E-heater	Economy	Hybrid	E-heater	Economy	Hybrid	E-heater
Heating capacity	kW	1.5	1.85	2.0	1.5	1.85	2	3.5	3.5	3.0
Power input	W	0.5	0.75	2.0	0.5	0.75	2.0	0.8	0.8	3.0
Rated Current	A	3.2	4.6	9.1	3.2	4.6	9.1	4.2	3.6	13.0
Hot water yield	L/h	32	40	43	32	40	43	75	107	64
Ambient temp.		5~43	-30~43	-30~43	5~43	-30~43	-30~43	-7~43	-30~43	-30~43
Protection		Hi pressure, over-load, electric leakage.			Hi pressure, over-load, electric leakage.			Hi pressure, over load, electric leakage.		
Refrigerant		R134a			R134a			R134a		
Compressor capacity		6140Btu/h			6140Btu/h			9500 Btu/h		
Compressor type		Piston			Piston			Rotary		
Elements	kW	2.0x 2			2.0x 2			3.0 x 1		
Water tank volume	L	150L			190L			300L		
Setting temp.	Setting temp.	38~70,65 default			38~70,65 default			38~70,65 default		
	Heat exchanger	copper tube around tank			copper tube around tank			copper tube around tank		
	Water inlet/outlet	DN20			DN20			DN20		
	Drain pipe	DN20			DN20			DN20		
	PT valve joint	DN20			DN20			DN20		
	Max. pressure	Mpa	0.7			0.7			0.7	
Sound level	dB(A)	48			48			46.6		
Dimension(net/gross)	mm	Ø 560×1430/729×1520×670			Ø 560x1580 / 730×1660×700			Ø 650x1920 / 745×2030×775		
Empty/Full weight	Kg	87/180			91/ 281			113/413		

Outdoor temp.:15/12 °C (DB/WB), Inlet/Outlet water temp.:15/45 °C

Visit us today @ www.metraclack.co.za

HEAD OFFICE

TEL- +27 (0)11 681 3900
FAX- +27 (0)11 683 1338
E-MAIL- jurie.benade@metraclack.co.za

BENONI

TEL- +27 (0)11 422 3507/9/10
FAX- +27 (0)11 425 0347
E-MAIL- stephan.fourie@metraclack.co.za

BLOEMFONTEIN

TEL- +27 (0)51 430 0733
FAX- +27 (0)51 430 1129
E-MAIL- wally.charlton-perkins@metraclack.co.za

CAPE TOWN

TEL- +27 (0)21 506 3500
FAX- +27 (0)21 511 7446
E-MAIL- leonard.davids@metraclack.co.za

DURBAN

TEL- +27 (0)31 274 5800
FAX- +27 (0)31 205 5508
E-MAIL- pradep.sona@metraclack.co.za

EAST LONDON

TEL- +27 (0)43 722 1820
FAX- +27 (0)43 743 7106
E-MAIL- shawn.brewis@metraclack.co.za

EMPANGENI

TEL- +27 (0)35 787 1861/2
FAX- +27 (0)35 787 1863
E-MAIL- leon.jacob@metraclack.co.za

GEORGE

TEL- +27 (0)44 874 2560/3
FAX- +27 (0)44 874 2600
E-MAIL- peter.shamley@metraclack.co.za

JOHANNESBURG

TEL- +27 (0)11 493 4130/40
FAX- +27 (0)11 493 2401
E-MAIL- ivan.venner@metraclack.co.za

KRUGERSDORP

TEL- +27 (0)11 660 6300
FAX- +27 (0)11 660 6302
E-MAIL- derek.benton@metraclack.co.za

MIDRAND

TEL- +27 (0) 11 314 0481
FAX- +27 (0) 11 314 0477
E-MAIL- aby.mdluli@metraclack.co.za

NELSPRUIT

TEL- +27 (0)13 752 7879
FAX- +27 (0)13 752 7762
E-MAIL- wouter.smith@metraclack.co.za

PAARL

TEL- +27 (0)21 862 3345
FAX- +27 (0)21 862 8406
E-MAIL- dave.taylor@metraclack.co.za

PIETERMARITZBURG

TEL- +27 (0)33 394 2094/5
FAX- +27 (0)33 342 1333
E-MAIL- alistair.bei@metraclack.co.za

PINETOWN

TEL- +27 (0)31 705 7040/1
FAX- +27 (0)31 705 7042
E-MAIL- joe.puran@metraclack.co.za

POLOKWANE

TEL- +27 (0)15 295 5105
FAX- +27 (0)15 295 5147
E-MAIL- ralph.deLange@metraclack.co.za

PORT ELIZABETH

TEL- +27 (0)41 453 4221
FAX- +29 (0)41 453 3221
E-MAIL- jenny.brent@metraclack.co.za

PRETORIA

TEL- +27 (0)12 327 2600
FAX- +27 (0)12 327 3652
E-MAIL- christo.hattingh@metraclack.co.za

RANDBURG

TEL- +27 (0)11 791 1666 / 793 6224
FAX- +27 (0)11 793 6216
E-MAIL- kumar.singh@metraclackmetraclack.co.za

RUSTENBURG

TEL- +27 (0)14 596 5965
FAX- +27 (0)14 596 5964
E-MAIL- neil.smit@metraclack.co.za

SOMERSET WEST

TEL- +27 (0) 21 852 4008
FAX- +27 (0) 21 852 3694
E-MAIL- george.carelse@metraclack.co.za

UPINGTON

TEL- +27 (0)54 331 2165/42
FAX- +27 (0)54 331 2179
E-MAIL- hans.coetzee@metraclack.co.za

VANDERBIJLPARK

TEL- +27 (0)16 931 1600/6
FAX- +27 (0)16 931 1664
E-MAIL- gideon.gous@metraclack.co.za

VREDENBURG

TEL- +27 (0)22 715 4212
FAX- +27 (0)22 715 4703
E-MAIL- jannie.vorster@metraclack.co.za

WINDHOEK (NAMIBIA)

TEL- +26 (461) 23 0328
FAX- +26 (461) 23 0329
E-MAIL- gert.nelson@metraclack.co.za

GABORONE

TEL 00267 391 0124
FAX 00267 391 0125

FRANCISTOWN

TEL 00267 241 8230
FAX 00267 241 8231

EXPORTS

TEL- +27 (0)11 681 3963
FAX- +27 (0)11 683 1295
E-MAIL- john.buckland@metraclack.co.za

METRACLACK

Refrigeration & Air-Conditioning Wholesaler